

Product

ABS Ballasted Solar Mount can be used for flat roof. It can be filled with sand or concrete blocks.

Trip solar



Trip solar



Trip solar

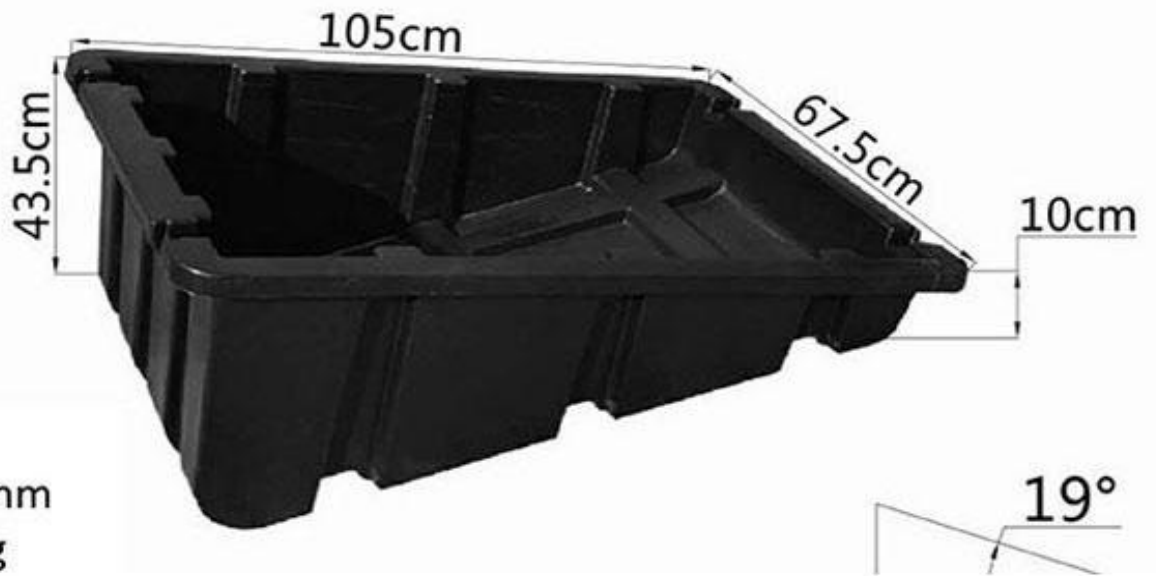


Trip solar



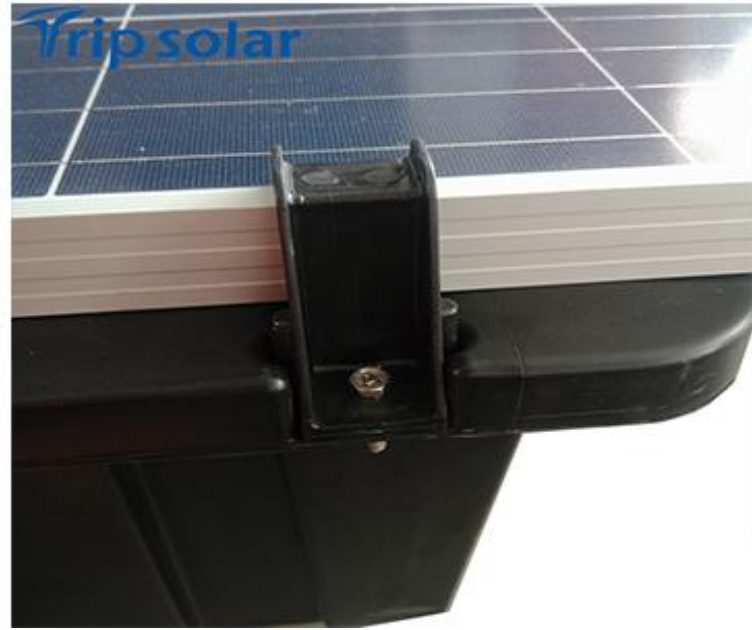
Roof Pitch Range	0°-5°
Ventilation	Slots on top, bottom and sides
Module Type	For PV Modules with Aluminum Frames
Wind Testing	Wind tunnel tested in accordance with ASCE 7-05 & 7-10
Duration	25 Years

Details



Material: PP
Thickness: 3mm
Weight: 4.5kg

Trip solar

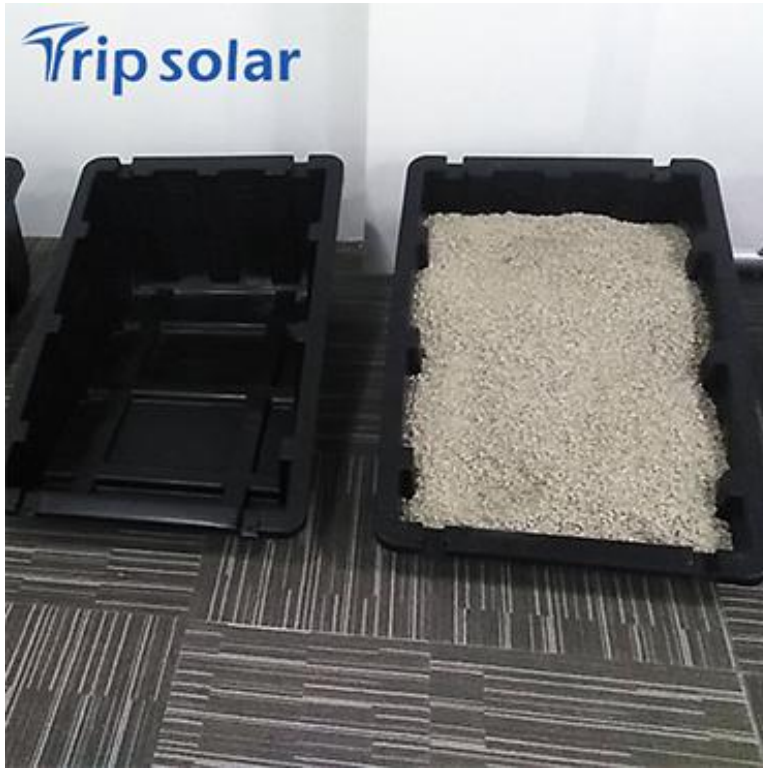


Advantages

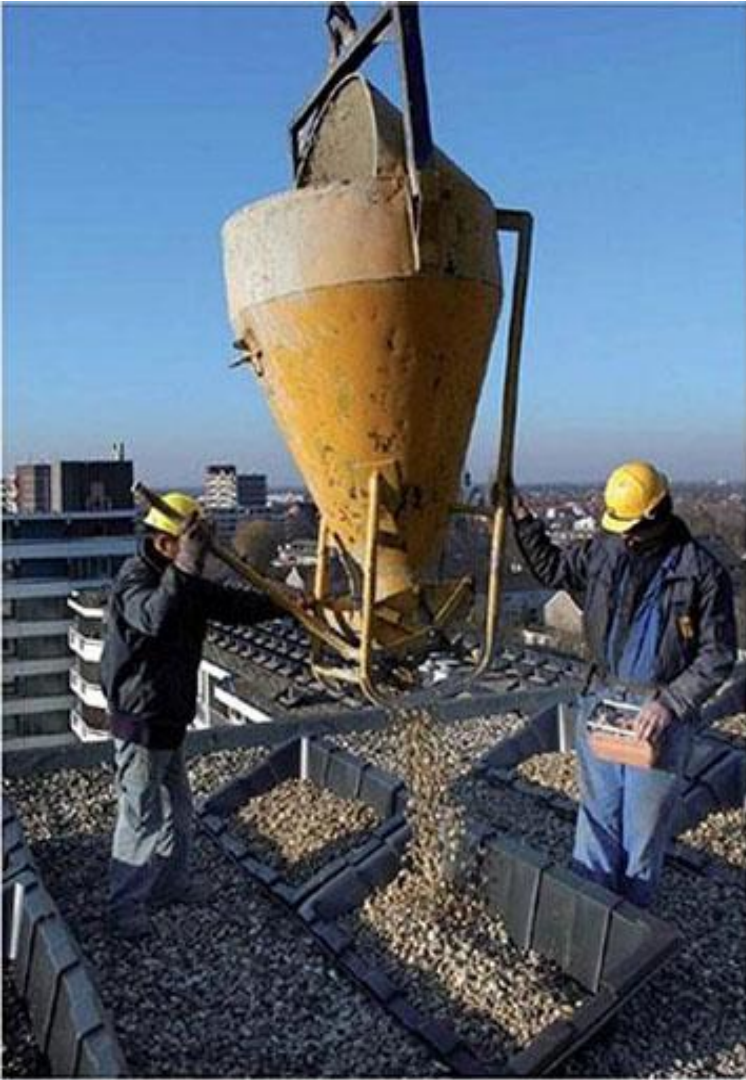
1. 100% Recyclable
2. Protection against UV and aging
3. Excellent chemical stability

Installation

- 1) Fill the plastic ballast with sand
- 2) Put the solar panel on the bracket
- 3) Lock the plastic block onto the solar panel with a screwdriver.



Project



Packaging

Packaging	Wooden Pallet
Quantity	69 pcs (1*Wooden Pallet) 350 pcs (1*20 container)
Wooden Pallet + Goods Size	2000*1200*2100mm
Wooden Pallet + Goods Weight	230KG





Certificate



Company Information

Xiamen Trip Solar manufactures and exports solar mount for 9 years.

We have 4500 square factory with 150 staffs, including professional product experts, engineers, QC and skilled workers.

Tailor project + Help u expand market



Our Services

Before Sale

1. Insulation instruction
2. Solar Solution
3. Engineering drawing



On Sale

1. Customized production
2. Get SGS standards products
3. Accept OEM



After Sale

1. Track goods positions
 2. Warranty 10 years
- Durable for 20 years

